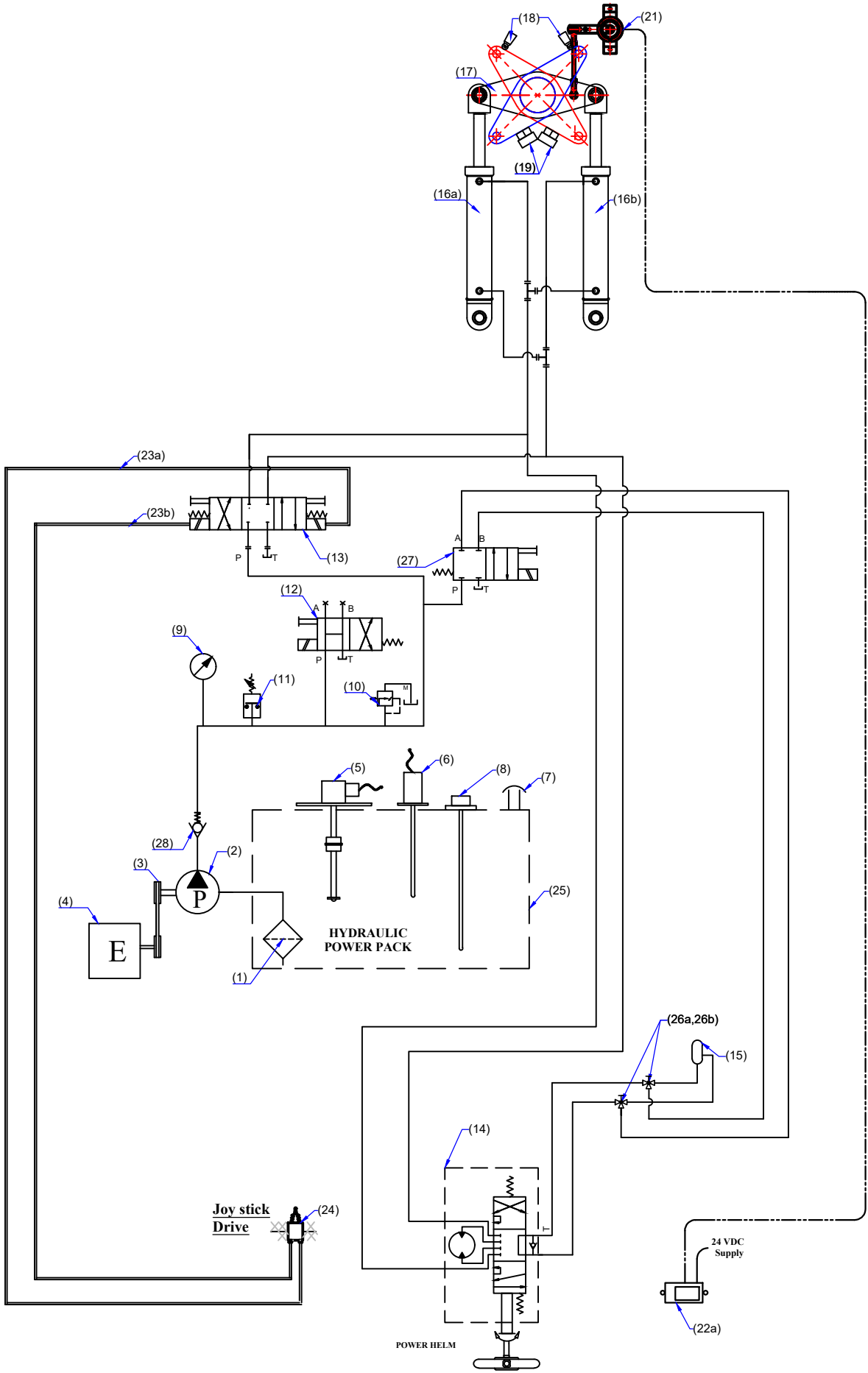


Electro-Hyd. Circuit - JumboZ-300E PTO with Joystick Control-Power Helm



MAC ♦ N ♦ HOM SYSTEMS
KOCHI - 20

DESIGNATION

DWG. No.

DATE

Electro-Hydro. Circuit of JumboZ-300E
PTO -Joystick -Power Helm

MHS-1823
Page 1 of 2

24.03.2023

A

B

C

D

E

F

G

H

Electro-Hyd. Circuit - JumboZ-300E PTO with Joystick Control-Power Helm

| Sl No. | Description |
|---------|-----------------------------------|
| 1 | Suction Strainer |
| 2 | Hydraulic pump |
| 3 | PTO Pulley |
| 4 | Engine |
| 5 | Oil Level Sensor |
| 6 | Oil Temp. Sensor |
| 7 | Filler Breather |
| 8 | Oil Dip Stick |
| 9 | Pressure Gauge |
| 10 | Pr.Relief Valve |
| 11 | Pre.Switch.Low Pre.Alarm |
| 12 | Unloading Valve |
| 13 | Sol. Opertd. Dire. Control Valve |
| 14 | Power Helm Pump |
| 15 | Flanged Reservoir |
| 16a,16b | Hyd. Actuator - JumboZ 300 |
| 17 | Tiller Arm |
| 18 | Limit Switch |
| 19 | Mechanical Stopper- (Yard Supply) |
| 20 | Oil Reservoir |
| 21 | Rudder Angle Sensor |
| 22 | Rudder Angle Indicator |
| 23a,23b | Elec. Lines to Sol.Opertd. Valve |
| 24 | Joystick |
| 25 | Power pack Tank |
| 26a,26b | 3 Way Ball Valve |
| 27 | Single Solenoid Valve |
| 28 | Non-Return Valve |



**MAC ♦ N ♦ HOM SYSTEMS
KOCHI - 20**

DESIGNATION

Electro-Hydro. Circuit of JumboZ-300E
PTO -Joystick -Power Helm

DWG. No.

MHS-1823
Page 2 of 2

DATE

24.03.2023